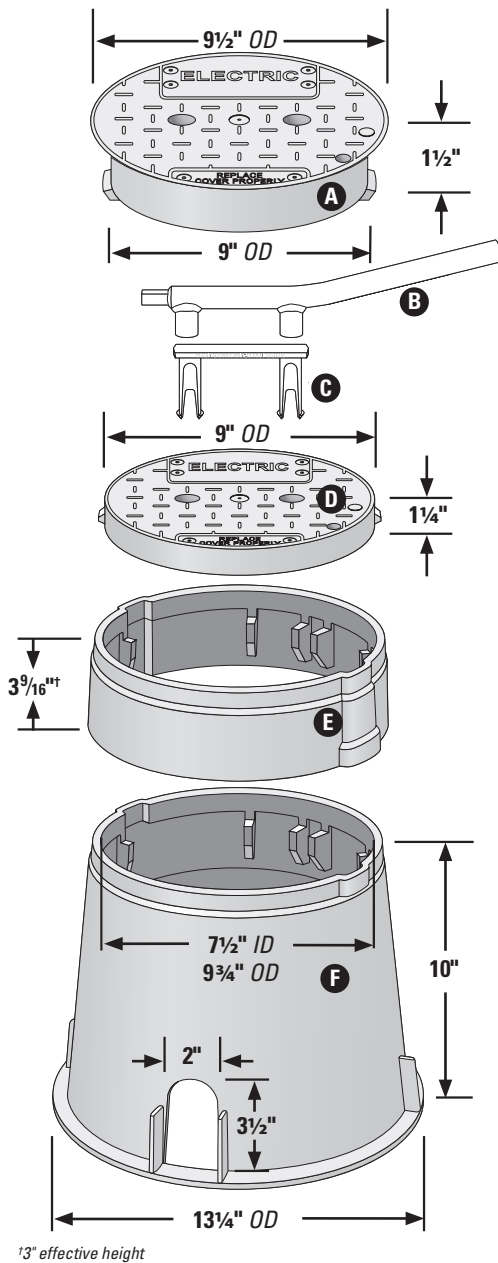




MacLean™ HIGHLINE

10" ROUND ELECTRIC BOXES



- (A) T-Top Lid
- (B) Cover Lifting Tool
- (C) Cover Handle
- (D) Drop-in Lid
- (E) 3" Round Extension
- (F) 10" Round Box

- SUPERFLEXON material
 - Stronger than structural foam, greater top-load strength
 - More UV and wear resistant than structural foam
 - 10 Year Lid Guarantee
- Lighter than cast iron or concrete boxes
 - Easier warehouse handling
 - Reduced injury potential
- Drop-in lid with 1/4 turn lock
 - Optional locking screw discourages vandalism
 - Keeps lid in place in high water
- Lids are easily interchangeable
- Lids available in black, gray and green
- Boxes available in black and green

"You're Covered!"



10" ROUND ELECTRIC BOXES

DESCRIPTION	PART #	DESCRIPTION	PART #
10" ROUND ASSEMBLIES		LIDS ONLY	
Electric (w/2 Mouse Holes)		Electric	
Black Box, Black Lid	181112	Black "Electric"	181021
Green Box, Green Lid w/Locking Screw	181124	Green "Electric"	181037
Black Box, Black T-Top Lid	184502	Black "Electric" T-Top	184007
Black Box, Gray T-Top Lid w/Locking Screw	184518	Black T-Top "Electric" w/Reflector	184016
Green Box, Green T-Top Lid w/Locking Screw	184519	Gray "Electric" T-Top	184010
Black Box, Black T-Top Lid w/Locking Screw	184520		
BOXES ONLY		EXTENSIONS	
Black w/2 Mouse Holes	181014	3"H Black	181026
Green w/2 Mouse Holes	181033		
		ACCESSORIES	
		Cover Lifting Tool	144046
		Cover Handle	144495

SUPERFLEXON BOXES AND COVERS

SUPERFLEXON is a plastic material made of a rigid combination of polyolefin and fibrous inorganic components. It is chemically inert and normally unaffected by moisture, corrosion and the effects of temperature changes. SUPERFLEXON also has a high tensile strength with light weight because it is a solid (not foamed) structural material.

SUPERFLEXON covers are NOT traffic covers and should not be used in roadways, etc.

Physical Properties	ASTM Test Method	Minimum Test Value
Tensile Strength (2.0"/min.)	D-638-82a	3,400 psi
Flexural Modulus	D-790-81	191,000 psi
Compressive Strength (0.05"/min.)	D-695-80	3,350 psi
Impact Strength, Izod	D-256-81	0.6 ft. lb/in.
Durometer Hardness, Type D	D-2240-81	60
Deflection Temp. @ 66 psi Stress	D-648-82	230°F
Specific Gravity	D-792-66 (1979)	1.15



481 Munn Road, Suite 300, Fort Mill, SC 29715, USA
 Phone: 803.628.4380 • Fax: 803.792.4612
 E-mail: info@macleanhighline.com
 www.highlineaccessboxes.com