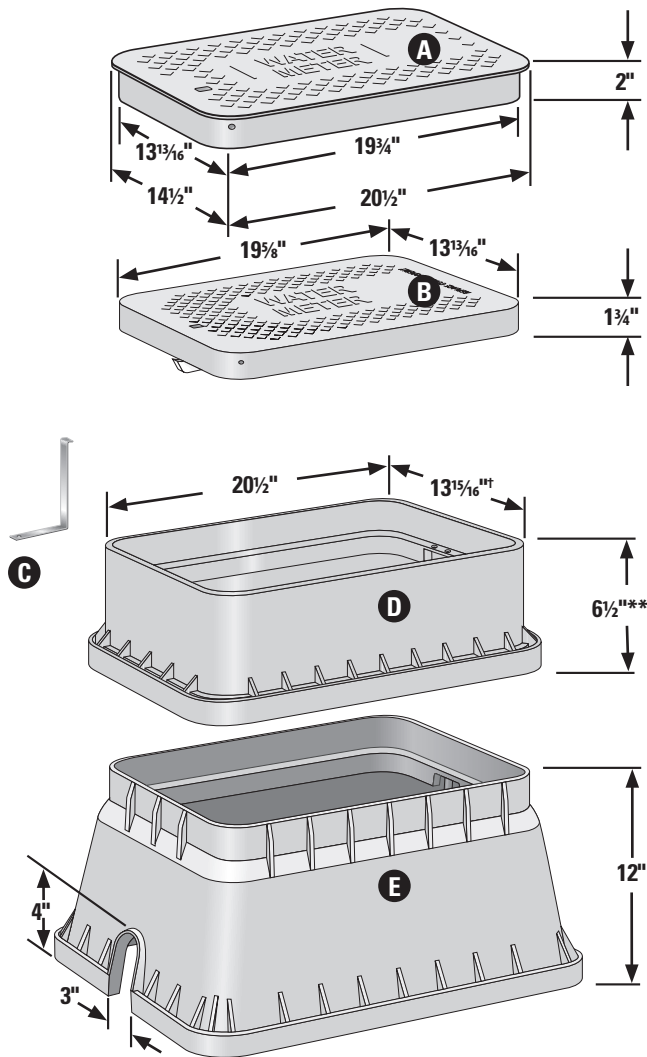


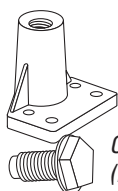


MacLeanTM HIGHLINE

JUMBO UTILITY BOXES



**6" effective height
 †20" x 13¹⁵/₁₆" Inside Dim.
 (18³/₄" x 12¹¹/₁₆" min.)



Optional Pentagon Lock
 (Needs Pentagon Lid)

- (A) T-Top Lid (No Locks)
- (B) Drop-in Lid (w/Snap Locks)
- (C) Optional Snap Lock Tool
- (D) 6" Extension
- (E) Jumbo Box

- SUPERFLEXON material
 - Stronger than structural foam, greater top-load strength
 - More UV and wear resistant than structural foam
- 10 Year Lid Guarantee
- Lighter than cast iron or concrete boxes
 - Easier warehouse handling
 - Reduced injury potential
- Available in black
- Snap locks on drop-in lid
 - Discourage vandalism
 - Keep lid in place in high water
- Lids are easily interchangeable
- Lids available in green, blue and black



"You're Covered!"

JUMBO UTILITY BOXES

DESCRIPTION	PART #	DESCRIPTION	PART #
JUMBO BOX ASSEMBLIES		LIDS ONLY	
Water Meter		Water Meter	
Black Box, Black Lid w/Snap Lock	190109	Black "Water" w/Snap Lock	191101
Black Box, Black T-Top, No Lock	194501	Black "Water" w/Plastic Reader Lid w/Snap Lock	193101
Black Box, Black T-Top w/Touch Read Hole	194555	Black "Water" w/Cast Iron Reader Lid w/Snap Lock	193105
Black Box, Black Plastic Reader Lid w/Snap Lock	190107	Black "Water Meter" T-Top Lid (Drilled for Snap Locks)	194004
Black Box, Black Cast Iron Reader Lid w/Snap Lock	190111	Green "Water" T-Top Lid (Drilled w/Touch Read Hole)	193612
BOXES ONLY		Black T-Top Lid w/Touch Read Hole	193613
Black w/Closed Mouse Holes	190101	Blue "Water" T-Top Lid (Drilled for Snap Locks)	194031
Black w/2 Open Mouse Holes	190156	Black "Water" T-Top Lid w/ERT Mounting Bracket	194119
		Black "Water Meter" T-Top Lid w/Cast Iron Reader Lid	194121
		Black T-Top w/TR w/Ref, No Locks	193514
		Black T-Top w/ERT w/Ref, No Locks	193515
		Black Water w/TR w/Ref, No Locks	193516
		Black Water w/ERT w/Ref, No Locks	193517
		EXTENSIONS	
		6"H Black	190110
		ACCESSORIES	
		Lexan Bolt – Pentagon Lock	143003
		Lexan Locking Nut – Pentagon Lock	143013
		Hexagon Steel Bolt	143014
		8" Stainless Steel Hinge Pin	144004
		Snap Lock Set (1-Snap, 1-Pin)	144017
		Snap Lock Unlocking Tool	144022
		Reflector Locator Washer	143020
		Reflector Screw for Locator Washer	143004

SUPERFLEXON BOXES AND COVERS

SUPERFLEXON is a plastic material made of a rigid combination of polyolefin and fibrous inorganic components. It is chemically inert and normally unaffected by moisture, corrosion and the effects of temperature changes. SUPERFLEXON also has a high tensile strength with light weight because it is a solid (not foamed) structural material.

SUPERFLEXON covers are NOT traffic covers and should not be used in roadways, etc.

Physical Properties	ASTM Test Method	Minimum Test Value
Tensile Strength (2.0"/min.)	D-638-82a	3,400 psi
Flexural Modulus	D-790-81	191,000 psi
Compressive Strength (0.05"/min.)	D-695-80	3,350 psi
Impact Strength, Izod	D-256-81	0.6 ft. lb/in.
Durometer Hardness, Type D	D-2240-81	60
Deflection Temp. @ 66 psi Stress	D-648-82	230°F
Specific Gravity	D-792-66 (1979)	1.15



481 Munn Road, Suite 300, Fort Mill, SC 29715, USA
 Phone: 803.628.4380 • Fax: 803.792.4612
 E-mail: info@macleanhighline.com
 www.highlineaccessboxes.com