



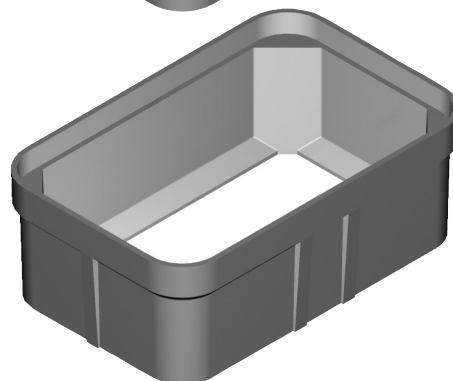
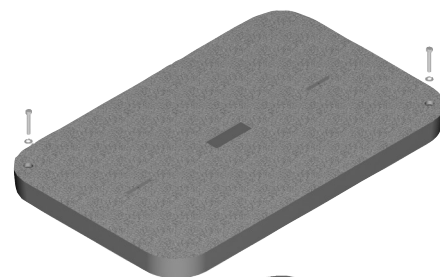
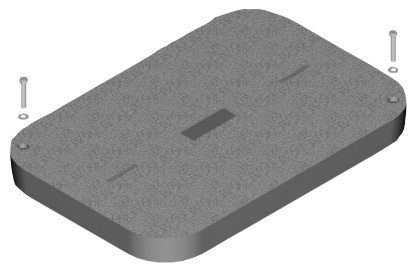
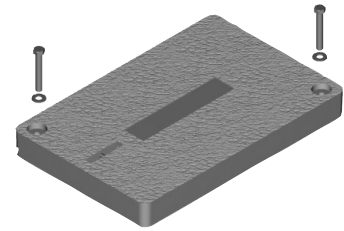
MacLean™  
**HIGHLINE**

# POLYMER CONCRETE FLUSHMOUNT PULL BOXES

## Ultra Series

### Features & Benefits

- Tier 8, Tier 15 and Tier 22 load ratings available
- Loading characteristics conform to the Western Underground Committee recommended guide WUC 3.6
- Non-conductive
- Constructed of fire-retardant materials
- Skid-resistant covers
- Penta or hex head bolts
- Interchangeable covers
- Available with solid base and gaskets upon request
- Straight wall design for minimal excavation



# POLYMER CONCRETE FLUSHMOUNT PULL BOXES

Catalog Number	Rating	Width	Length	Depth	Weight	Cover	Box
PHA101512S	Tier 8	10	15	12	40	Polymer Concrete	Polymer Concrete
PHA101512H	Tier 15	10	15	12	41	Polymer Concrete	Polymer Concrete
PHA111812S	Tier 8	11	18	12	64	Polymer Concrete	Polymer Concrete
PHA111812H	Tier 15	11	18	12	67	Polymer Concrete	Polymer Concrete
PHA111818S	Tier 8	11	18	18	70	Polymer Concrete	Polymer Concrete
PHA111818H	Tier 15	11	18	18	73	Polymer Concrete	Polymer Concrete
PHA121212S	Tier 8	12	12	12	43	Polymer Concrete	Polymer Concrete
PHA121212H	Tier 15	12	12	12	44	Polymer Concrete	Polymer Concrete
PHA121218S	Tier 8	12	12	18	55	Polymer Concrete	Polymer Concrete
PHA121218H	Tier 15	12	12	18	56	Polymer Concrete	Polymer Concrete
PHA121224S	Tier 8	12	12	24	77	Polymer Concrete	Polymer Concrete
PHA121224H	Tier 15	12	12	24	78	Polymer Concrete	Polymer Concrete
PHA132412S	Tier 8	13	24	12	87	Polymer Concrete	Polymer Concrete
PHA132412H	Tier 15	13	24	12	108	Polymer Concrete	Polymer Concrete
PHA132415S	Tier 8	13	24	15	92	Polymer Concrete	Polymer Concrete
PHA132415H	Tier 15	13	24	15	114	Polymer Concrete	Polymer Concrete
PHA132418S	Tier 8	13	24	18	96	Polymer Concrete	Polymer Concrete
PHA132418H	Tier 15	13	24	18	117	Polymer Concrete	Polymer Concrete
PTA132424S	Tier 8	13	24	24	104	Polymer Concrete	Polymer Concrete
PTA132424H	Tier 15	13	24	24	117	Polymer Concrete	Polymer Concrete
PHA173012S	Tier 8	17	30	12	122	Polymer Concrete	Polymer Concrete
PHA173012H	Tier 15	17	30	12	156	Polymer Concrete	Polymer Concrete
PHA173018S	Tier 8	17	30	18	149	Polymer Concrete	Polymer Concrete
PHA173018H	Tier 15	17	30	18	183	Polymer Concrete	Polymer Concrete
PHA173024S	Tier 8	17	30	24	177	Polymer Concrete	Polymer Concrete
PHA173024H	Tier 15	17	30	24	211	Polymer Concrete	Polymer Concrete
PHA242424S	Tier 8	24	24	24	254	Polymer Concrete	Polymer Concrete
PHA242424H	Tier 15	24	24	24	254	Polymer Concrete	Polymer Concrete
PHA243618S	Tier 8	24	36	18	229	Polymer Concrete	Polymer Concrete
PHA243618H	Tier 15	24	36	18	291	Polymer Concrete	Polymer Concrete
PHA243624S	Tier 8	24	36	24	268	Polymer Concrete	Polymer Concrete
PHA243624H	Tier 15	24	36	24	330	Polymer Concrete	Polymer Concrete
PHA243630S	Tier 8	24	36	30	284	Polymer Concrete	Polymer Concrete
PHA243630H	Tier 15	24	36	30	346	Polymer Concrete	Polymer Concrete
PHA243636S	Tier 8	24	36	36	323	Polymer Concrete	Polymer Concrete
PHA243636H	Tier 15	24	36	36	385	Polymer Concrete	Polymer Concrete
PHA304818S	Tier 8	30	48	18	345	Polymer Concrete	Polymer Concrete
PHA304818H	Tier 15	30	48	18	363	Polymer Concrete	Polymer Concrete
PHA304824S	Tier 8	30	48	24	396	Polymer Concrete	Polymer Concrete
PHA304824H	Tier 15	30	48	24	414	Polymer Concrete	Polymer Concrete
PHA304830S	Tier 8	30	48	30	559	Polymer Concrete	Polymer Concrete
PHA304830H	Tier 15	30	48	30	559	Polymer Concrete	Polymer Concrete
PHA304836S	Tier 8	30	48	36	503	Polymer Concrete	Polymer Concrete
PHA304836H	Tier 15	30	48	36	521	Polymer Concrete	Polymer Concrete
PHA363636S	Tier 8	36	36	36	276	Polymer Concrete	Polymer Concrete
PHA363636H	Tier 15	36	36	36	276	Polymer Concrete	Polymer Concrete

**Ordering Note:**

- For Penta Head Bolt add "1" to the end of the Catalog number.
- For Hex Head Bolt add "2" to the end of the Catalog number
- Tier 22 rated assemblies available upon request. Please contact your rep for details.**



481 Munn Road, Suite 300, Fort Mill, SC 29715, USA  
 Phone: 803.628.4380 • Fax: 803.792.4612  
 E-mail: info@macleanhighline.com  
 www.highlineaccessboxes.com